

JK362-PoE

User's manual



Trademark Acknowledgments

- SATIR is a trademark of SATIR Ltd.
- Other names and products not mentioned above may be registered trademarks or trademarks of their respective companies.

Copyright © 2019 SATIR Ltd. All rights reserved.

Read this first	1
Component guide	5
Specification	6

Read This First

Please Read

Test Shots

Before you try to shoot important subjects, we highly recommend that you shoot several trial images to confirm that the IR camera is operating and being operated correctly.

Please note that SATIR, its subsidiaries and affiliates, and its distributors are not liable for any consequential damages arising from any malfunction of an IR camera or accessory, which results in the failure of an image to be recorded or to be recorded in a format that is machine readable.

Warning Against Copyright Infringement



Safety Precautions

Before using the camera, please ensure that you read and understand the safety precautions described below. Always ensure that the IR camera is operated correctly.

The safety precautions noted on the following pages are intended to instruct you in the safe and correct operation of the IR camera and its accessories to prevent injuries or damage to yourself, other persons and equipment.

Warnings

Read on to learn about using IR camera properly.

Do not disassemble

Do not attempt to disassemble or alter any part of the equipment that is not expressly described in this guide

Stop operating immediately if it emits smoke or noxious fumes

Failure to do so may result in fire or electrical shock. Immediately turn the IR camera's power off, remove the IR camera battery or unplug the power cord from the power outlet. Confirm that smoke and fume emissions have ceased.

Stop operating immediately if it is dropped or the casing is damaged

Failure to do so may result in fire or electrical shock. Immediately turn the IR camera's power off, remove the IR camera battery or unplug the power cord from the power outlet.

Do not use substances containing alcohol, benzene, thinners or other flammable substances to clean or maintain the IR camera

The use of these substances may lead to fire.

Remove the power cord on a regular periodic basis and wipe away the dust and dirt that collects on the plug, the exterior of the power outlet and the surrounding area

In dust, humid or greasy environments, the dust that collects around the plug over long periods of time may become saturated with humidity and short-circuit, leading to fire.

Do not handle the power cord if your hands are wet Handling it with wet hands may lead to electrical shock. When unplugging the cord, ensure that you hold the solid portion of the plug.

Pulling on the flexible portion of the cord may damage or expose the wire and insulation, creating the potential for fires and electrical shocks.

Do not cut, alter or place heavy items on the power adapter cord
Any of these actions may cause an electrical short circuit, which may lead to fire or electrical shock.

Use only the recommended power accessories
Use of power sources not expressly recommended for this IR camera may lead to overheating, distortion of the IR camera, fire, electrical shock or other hazards.

Avoid dropping or subjecting the batteries to severe impacts that could damage the casings
It could lead to leakage and injury.

Disconnect the compact power adapter from both the IR camera and power outlet after recharging and when the IR camera is not in use to avoid fires and other hazards
Continuous use over a long period of time may cause the unit to overheat and distort, resulting in fire.

Exercise due caution when screwing on the separately sold tele-lens, close-up lens
If you loosen, fall off and shatter, the glass shards may cause an injury.

If your camera is used for prolong periods, the IR camera body may become warm
Please take care when operating the IR camera for an extended period as your hands may experience a burning sensation.

Prevent Malfunction

Read on to learn about preventing malfunction of IR camera

Avoid damaging the detector of the IR camera Warning:

Do not aim the IR camera directly into the sun or at other intense heat source which could damage the detector of the IR camera.

Avoid Condensation Related Problems

Moving the IR camera rapidly between hot and cold temperatures may cause condensation (water droplets) to form on its external and internal surfaces.

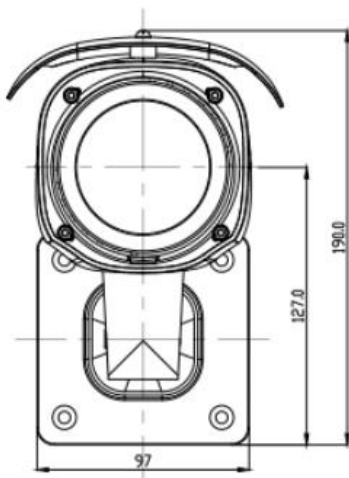
You can avoid this by placing the IR camera in the plastic case (bundle) and letting it adjust to temperature changes slowly before removing it from the case.

If Condensation Forms Inside the IR Camera

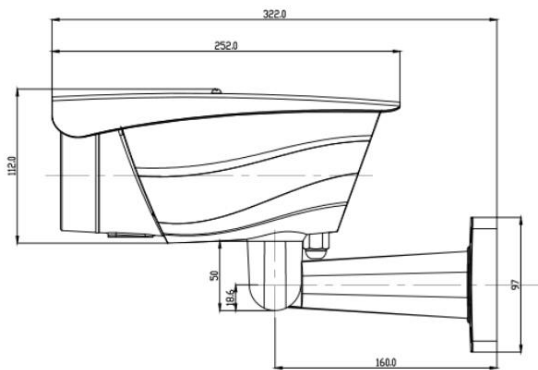
Stop using the camera immediately if you detect condensation. Continued use may damage the IR camera. Remove the power source, from the IR camera and wait until moisture evaporates completely before resuming use.

Component guide

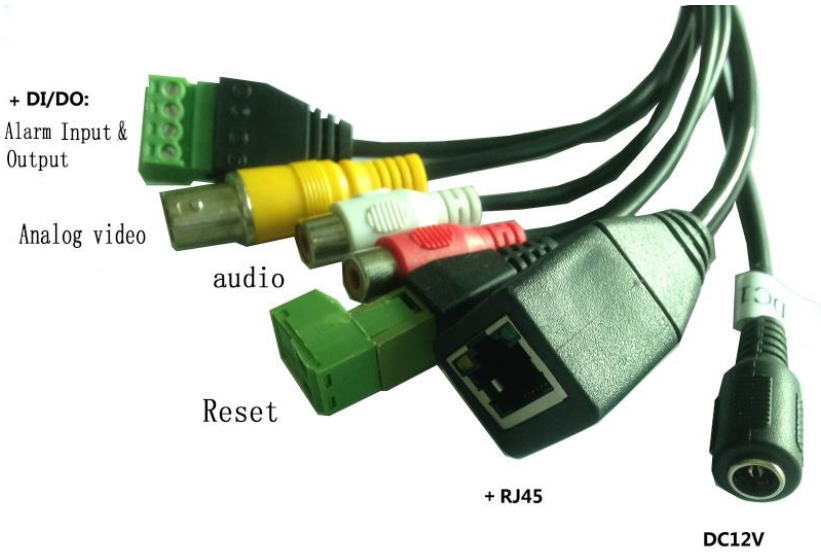
Different views and interfaces



Front view



Side view



interfaces

*"+"" only for JK362-POE

Specification

All data is based on SAT's testing standard, subject to change without notice.

Camera	JK362	JK362-PoE
Focal length/FOV	6.8mm:46.6°X34.9° 10.3mm:30°X22.5° 18.8mm:16.3°X12.2°(standard) 35mm:8.8°X6.6° Customized	
Thermal sensitivity	0.05°@30°C	
Detector type	FPA,uncooled microbolometer	
Resolution	384X288	
Spectral range	8-14um	
Focusing	Focus free athermal lens	
Frame rate	50Hz/60Hz	
Image		
Format	PAL/NTSC Composite Video	PAL/NTSC Composite Video,H2.64 Network digital Vid
Processing	Automatic Gain Contro,Digital detail enhancement	
Interfaces		
AV out	Yes	
RJ45 Ethernet	No	Yes
Alarm input	No	Yes
Wifi	No	Optional

USB Storage	No	Optional
Power		
Requirements	12VDC	12DC or PoE
Consumption	$\leq 32W, \leq 3.5W$ (with temperature controlling)	$\leq 35W, \leq 8W$ (with temperature controlling)
Start-up	$\leq 5s$	$\leq 60s$
Environment specification		
Operating temperature rang	-35°C to +65°C	
Storage temperature range	-40°C to +70°C	
Humidity	$\leq 95\%$ non-condensing	
Encapsulation	IP66	
Shock resistance	25G	
Vibration resistance	2G	
Automatic heater	Deicing from the windows	
Physical characteristic		
Weight	1.8kg	
Dimensions	322mm*128mm*190mm	
System Features		
System state self-check	YES	
Network connection	No	Optional

Two-way voice	No	Optional
Video motion detection(VMD)	No	Optional
Sensitive area shelter	No	Optional
DHCP	No	Optional
OSD	No	Optional
Boundary alarm	No	Optional
Solar power supply	No	Optional
Video recording	No	Yes
Image recording	No	Yes
Text annotation	No	Yes
Detection distance(Human,car)		
detection	332m/1271m	
Recognition	82m/317m	

Notice:

[1] The data is based on 18.8mm lens.

Manufacturer Information

SATIR Europe (Ireland) Co. Ltd

Marley's Business Park

Marley's Lane

Drogheda

Co. Louth

Ireland

TEL: +353 (0)41 9844371

URL: www.satir.com

E-Mail: service@satir.com