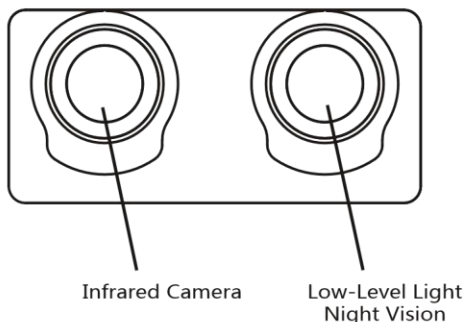


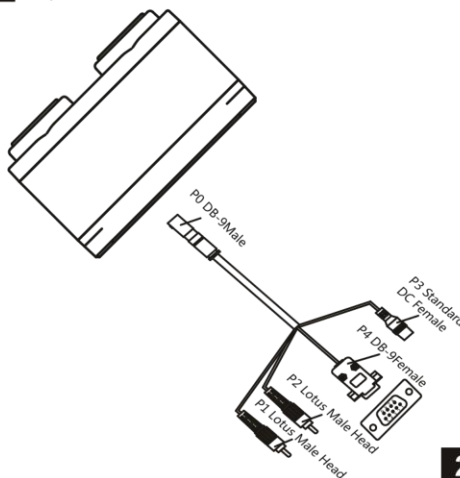
A Front View



B NV618S-9PIN Line

PO Pin serial number	Pin definition	Load	Line type	P1 Lotus Male Head	P2 Lotus Male Head	P4 DB-9 Female	P3 DC Female
1	VCC_12V	VCC,MAX,2.5A	20#Red			Center	
2	GND	GND (Power)	20#Black			Shell	
3	Video_IR	IR video signal output positive pole	75Ω coaxial yellow cable	Center			
4	Video_GND	IR video signal output negative pole	Coaxial shield	Shell			
5	Rxd_in	Serial port input	24#Red				3
6	Txd_out	Serial port output	24#Black				2
7	Video_ccd	Low-Level light video signal output positive pole	75Ω coaxial yellow cable		Center		
8	Video_GND	Low-Level light video signal output negative pole	Coaxial shield		Shell		
9	GND	GND (Serial port)	24#White				5

B Top View



Using the camera

1. The video line of the camera connected with the central control display console of the automobile or the purchased screen.
2. Turn on the power and the camera will automatically start. The IR image or Low-Level Light Night Vision image will display on the central control display console of the automobile or the screen.

Trademark Acknowledgments

- SATIR is trademark of SATIR Europe (Ireland). LTD.
- Other names and products not mentioned above may be registered trademarks or trademarks of their respective companies.

Copyright © 2016 SATIR. LTD. All rights reserved.

Statement

This user's manual is a installation and maintenance procedures instead of a legal documents. The manufacturer shall not be responsible for any loss of the user and his property due to the user's incorrect understanding and illegal operation of the specification. SATIR reserves the right to change the functions and configurations of our products without prior notice.

Warning of infringement

Safety Precaution

Before using the camera, please ensure that you read and understand the safety precautions described below. Always ensure that the camera is operated correctly. The safety precautions noted on the following pages are intended to instruct you in the safe and correct operation of the camera and its accessories, and also to prevent any injuries or damages to yourself, others and the equipment.

Warnings

Please read the following sections carefully to make sure you can use the camera.

Do not disassemble
Do not attempt to disassemble or alter any part of the equipment.

Stop operating immediately if it emits smoke or noxious fumes. Failure to do so may result in fire or electrical shock. Immediately turn the camera's power off and confirm that smoke and fume emissions have ceased.

Stop operating immediately if it is dropped or the casing is damaged. Failure to do so may result in fire or electrical shock. Immediately turn the camera's power off.

Do not use substances containing alcohol, benzene, thinners or other flammable substances to clean or maintain the camera. The use of these substances may lead to fire.

Do not modify the cable.
Any of these actions may cause an electrical short circuit, which may lead to fire or electrical shock.

After a long time, the temperature of the camera may be increased.

Prevent Malfunction

Please read the following contents in order to minimize the malfunction.

Avoid damaging the detector of the camera
Warning: Do not aim the camera directly into the sun or at other intense heat source which could damage the detector of the camera.

C Excellent imaging performance

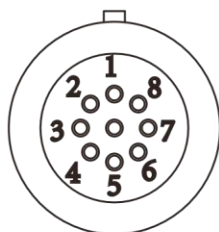


Thermal imaging mode, distant objects are clearly visible

Low-Level Light mode, near objects can be seen in detail

Interfaces

A NV618S 9PIN (Male)



Specifications

Camera	NV618S
Infrared	
IR detector type	Amorphous silicon uncooled focal plane array
IR resolution	384 (H) x 288(V)
Focal length	18.8mm
Field of view	20°x15° (Tolerance : ±5%) (Customers can customize other lenses)
Image display	White hot/Black hot
Observation distance	200m (1.7m) 400m (for vehicle)
Low-Level Light Night Vision	
Image sensor	H5761
Sense resolution	1080 (H) x 720 (V)
Illumination	0.01Lux (Black/White)
Focal length	20mm
Field of view	19°x11°
Observation distance (human)	100m (1.7m)
Features	
Control mode	RS232/ WIFI (Optional) ; Two-way video output : CVBS video output
Video output	PAL (Customers can customize NTSC) ; Power : DC 12V / 2A
Encapsulation	IP67; Operating temperature range: -40°C ~ 80°C
Storage temperature range	-40°C ~ 85°C; Size: 123.5x57.5x77 mm
Weight	580g

**Manufacturer: SATIR Europe (Ireland)
Company Limited**
TEL: +353 (0)41 9844371
URL: www.satir-uk.com
E-mail: service@satir-eu.com